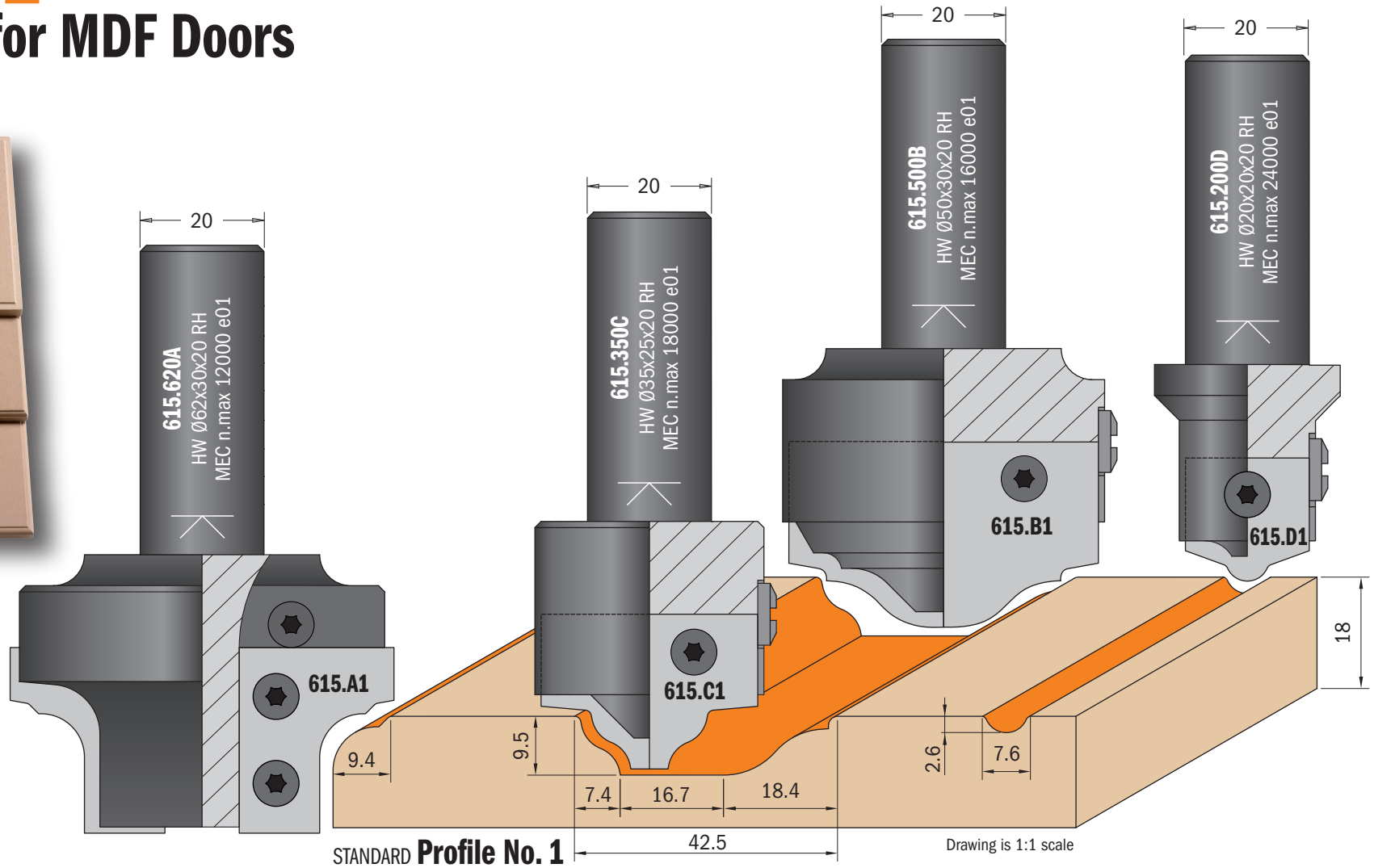


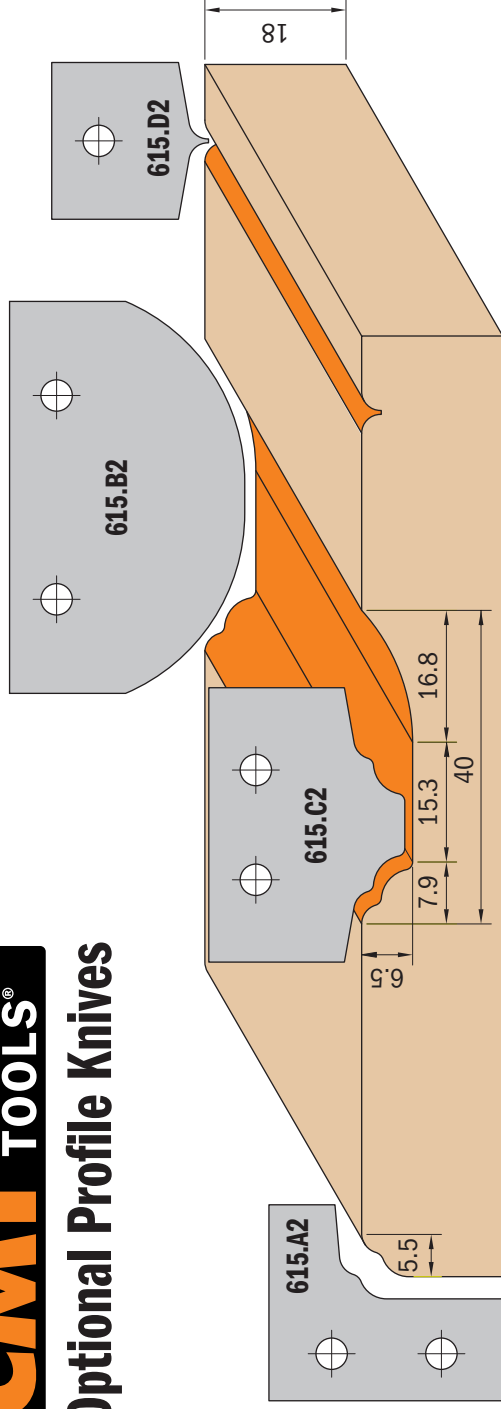
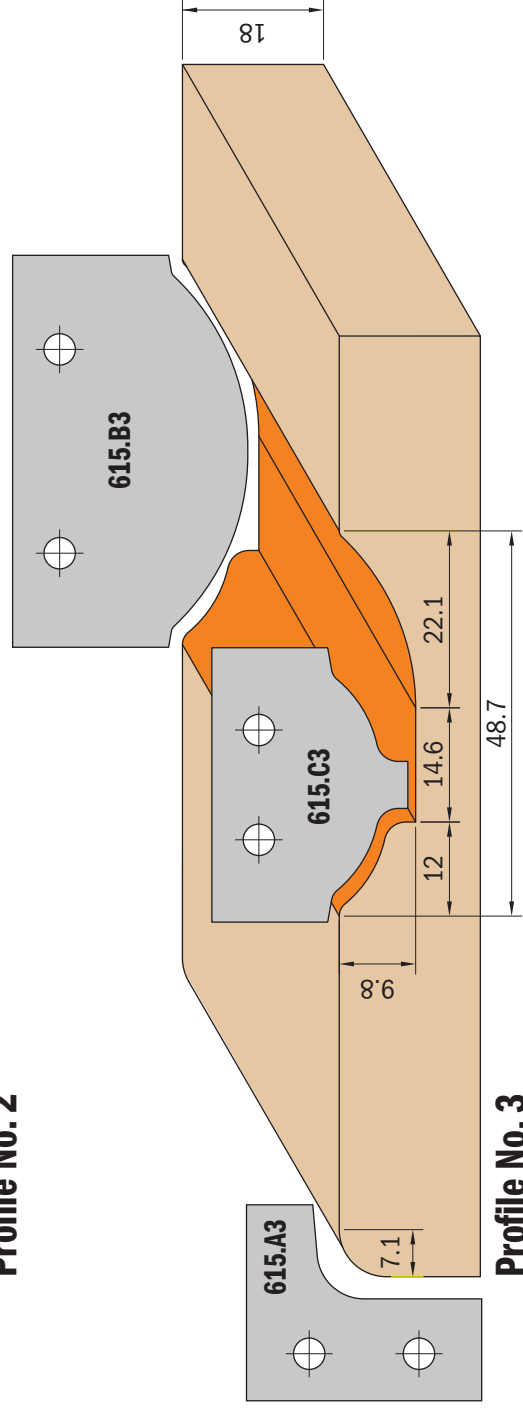
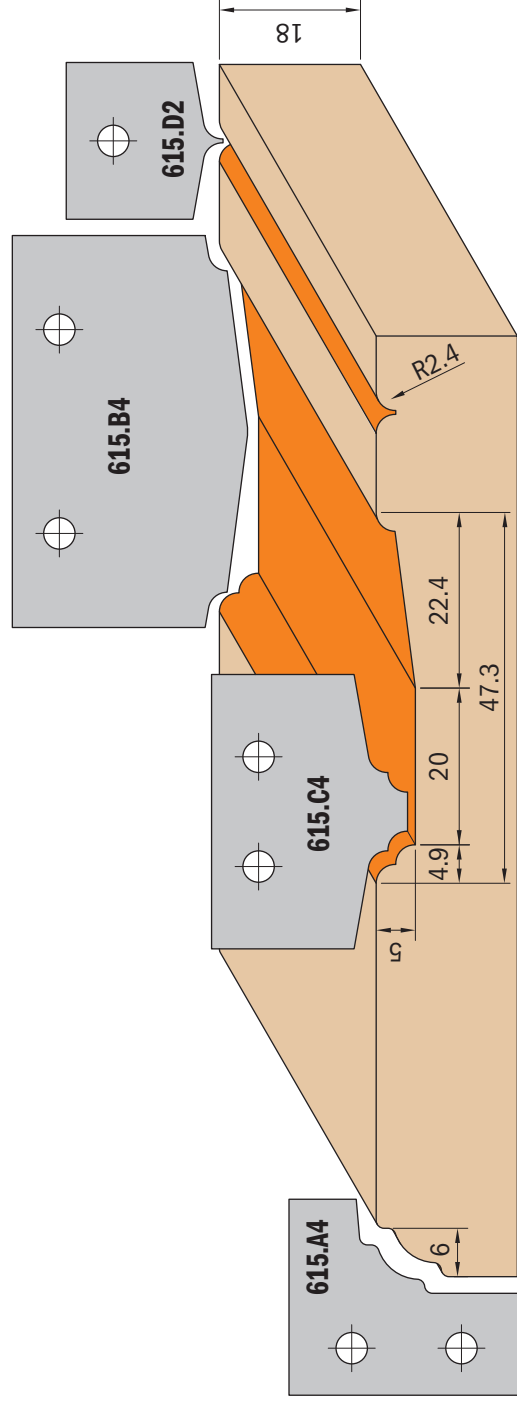
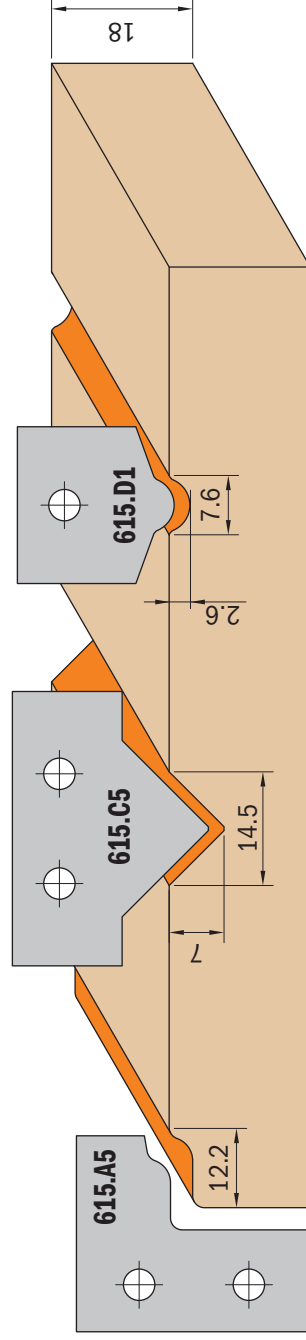
615.004.01

Complete Set for MDF Doors

Instructions for Assembly



FEED RATE ON MDF
 External: 8-13 m/min.
 Internal: 6-10 m/min.

Optional Profile Knives**Profile No. 2****Profile No. 3****Profile No. 4****Profile No. 5**